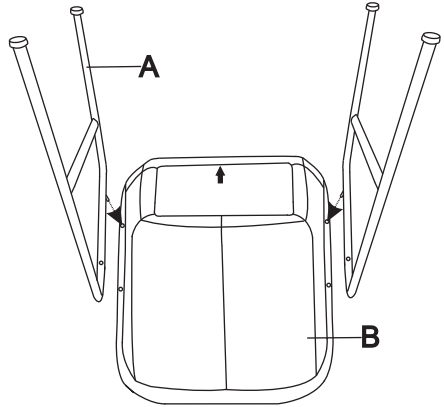
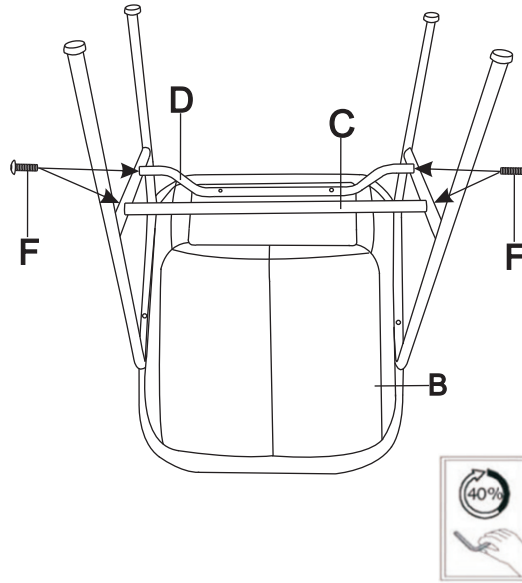


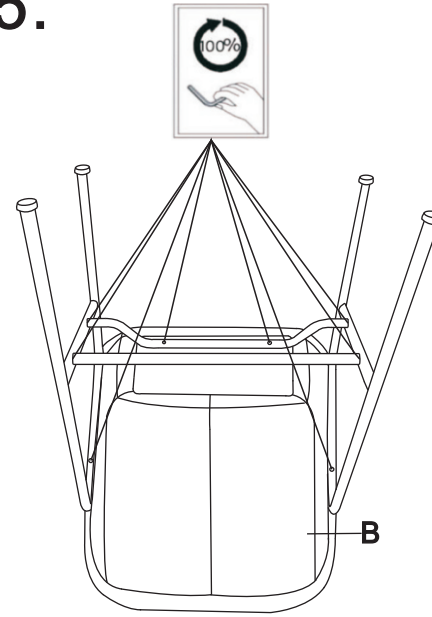
1.



3.

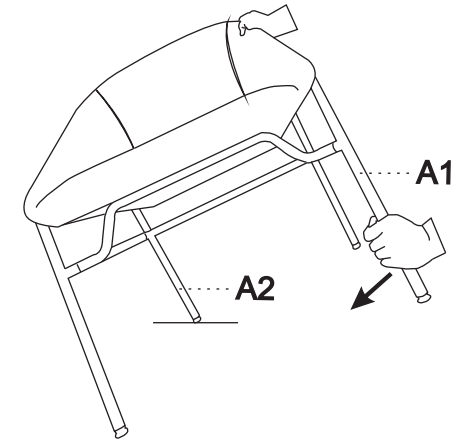


5.



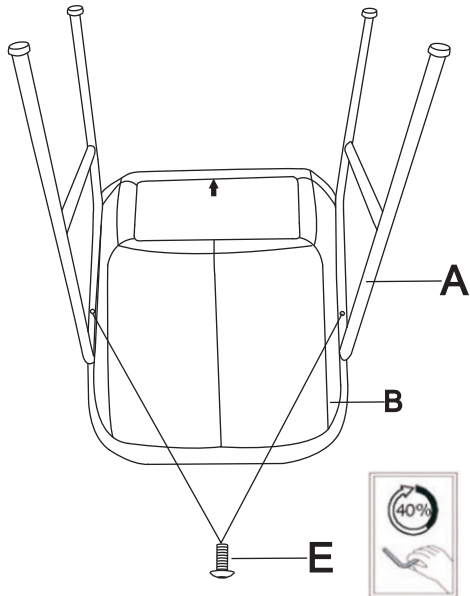
7.

9-12

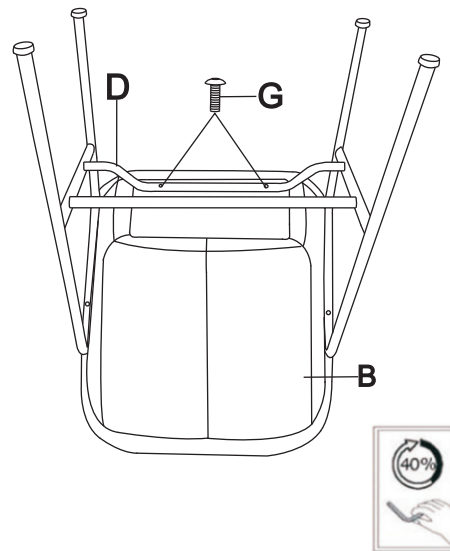


**NOTE:**  
 If leg A1 is not close to the ground like step 2 after assembled, please lift chair and put A2 on the floor like step 3. Push leg A1 to A2 or pull to opposite direction until four legs at the same level.

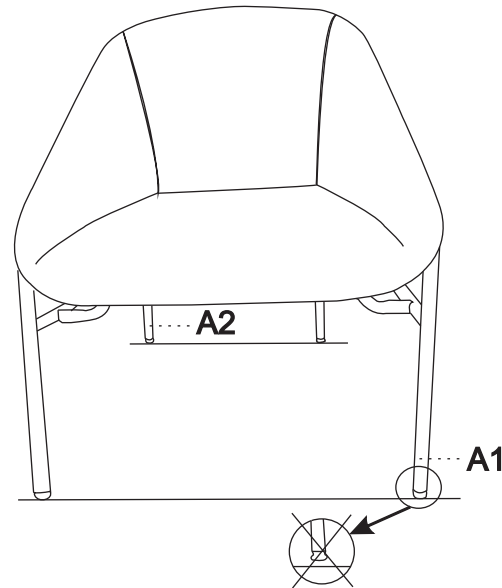
2.



4.



6.



E M6\*25MM/2PCS    F M6\*35MM/4PCS    G M6\*30MM/2PCS    H M4